



US00D563502S

(12) **United States Design Patent**  
**Tota**

(10) **Patent No.:** **US D563,502 S**

(45) **Date of Patent:** **\*\* Mar. 4, 2008**

(54) **DECORATIVE SHIELD**

(76) Inventor: **Dražen Tota**, Motovunska 16, Poreč  
52440 (HR)

(\*\*) Term: **14 Years**

(21) Appl. No.: **29/259,568**

(22) Filed: **May 12, 2006**

(51) **LOC (8) Cl.** ..... **22-99**

(52) **U.S. Cl.** ..... **D22/199; D29/100; D11/131**

(58) **Field of Classification Search** ..... D11/95,  
D11/96, 99, 131-133, 140; D22/199; D29/100,  
D29/101.1, 101.3, 108; 89/36.01, 36.02,  
89/36.05, 36.06; 2/455, 2.5; 109/49.5; 428/542.2,  
428/542.4, 542.6

See application file for complete search history.

(56) **References Cited**

**U.S. PATENT DOCUMENTS**

D7,148 S *	2/1874	Dauth	.....	D22/199
2,020,702 A *	11/1935	Russell	.....	2/2.5
3,370,302 A *	2/1968	Karlyn	.....	2/2.5
D211,341 S *	6/1968	Karlyn	.....	D22/199
4,674,394 A *	6/1987	Martino	.....	89/36.05
5,241,703 A *	9/1993	Roberts et al.	.....	2/2.5
D354,156 S *	1/1995	Tapia	.....	D29/100

**FOREIGN PATENT DOCUMENTS**

DE	3146903 A1 *	6/1983
DE	3211945 A1 *	10/1983
EP	887614 A2 *	12/1998
FR	2720153 A1 *	11/1995
JP	11183094 A *	7/1999
JP	2003287398 A *	10/2003

\* cited by examiner

*Primary Examiner*—Catherine Tuttle

(74) *Attorney, Agent, or Firm*—Eric Hanscom; Todd Langford

(57) **CLAIM**

The ornamental design for a decorative shield, as shown and described.

**DESCRIPTION**

The decorative shield in which the design is embodied is intended for use by police, military personnel, and other governmental employees during both work and ceremonial functions.

FIG. 1 is a back, perspective view of a decorative shield showing my new design and is drawn at a scale of 0.87 the size of FIG. 2;

FIG. 2 is a front view thereof;

FIG. 3 is a top view thereof and is drawn at a scale of 2.02 the size of FIG. 2;

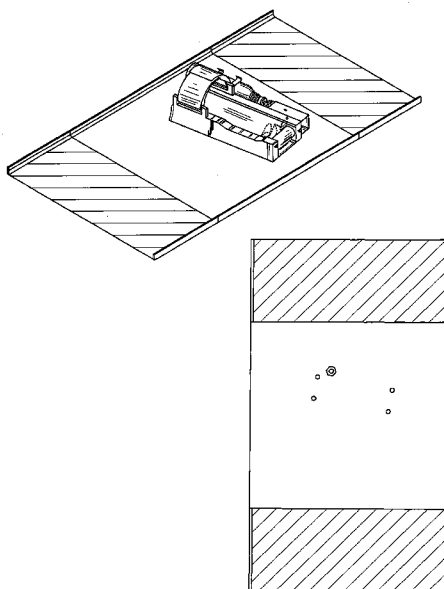
FIG. 4 is a bottom view thereof and is drawn at a scale of 1.79 the size of FIG. 2; and,

FIG. 5 is a left side view thereof and is drawn at a scale of 0.99 the size of FIG. 2.

The design includes a rectangular sheet of metal having zones of color contrasting with the middle of the shield as seen in FIG. 1, an arm retaining structure with encircling band and handgrip; and a piston with piston driving structure adjacent to the upper side of the arm retaining structure.

The broken lines are included for the purpose of illustrating portions of the shield that form no part of the claimed design.

**1 Claim, 4 Drawing Sheets**



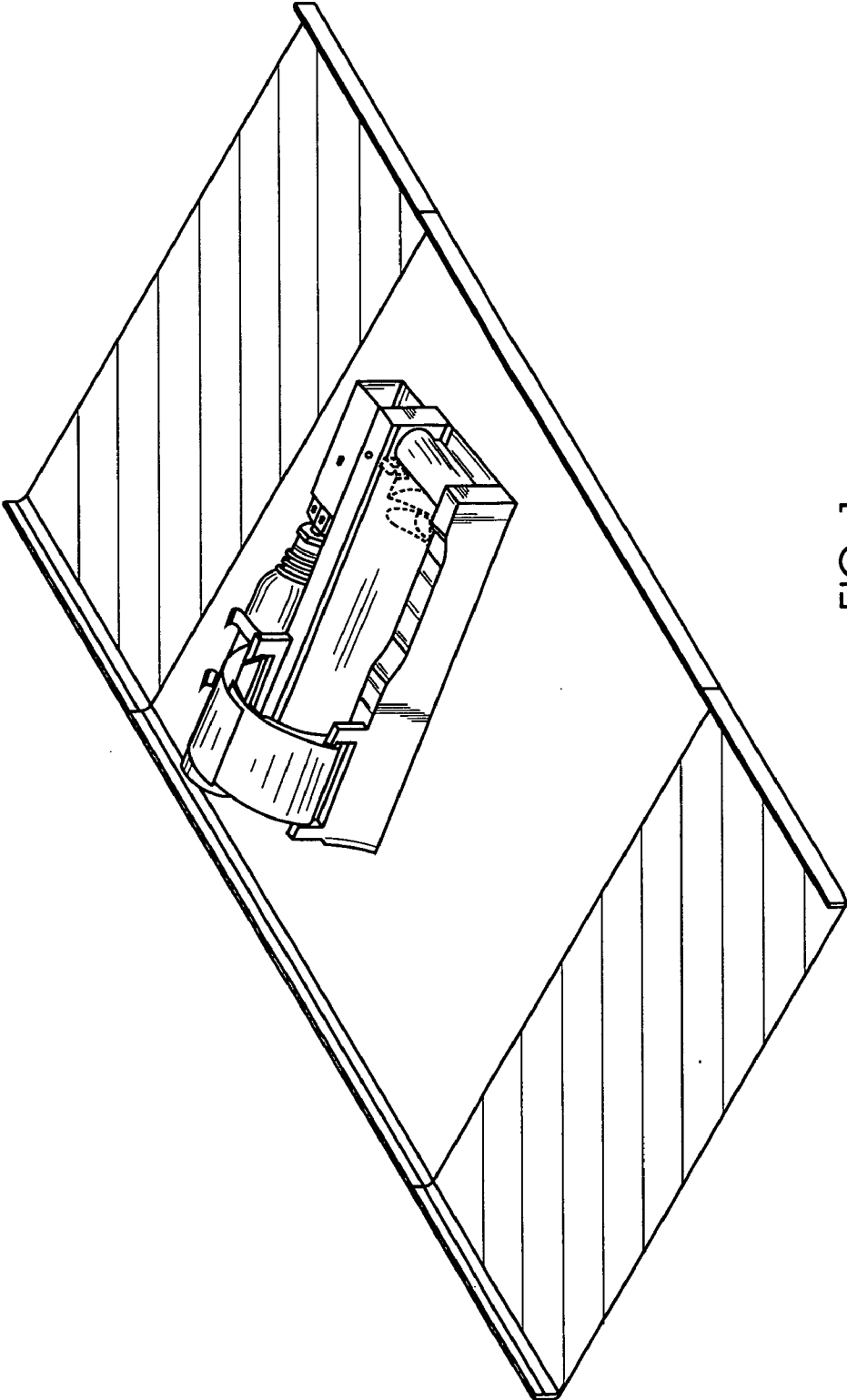


FIG. 1

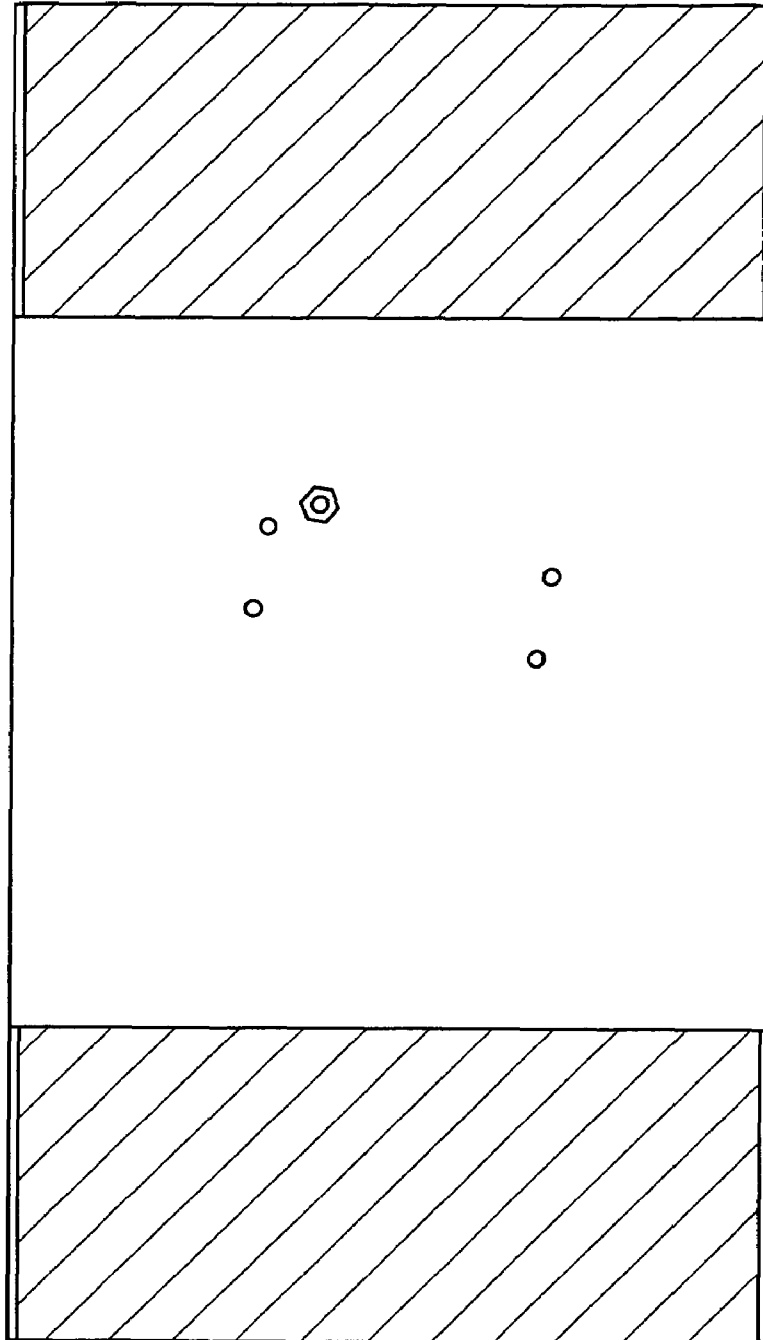


FIG. 2

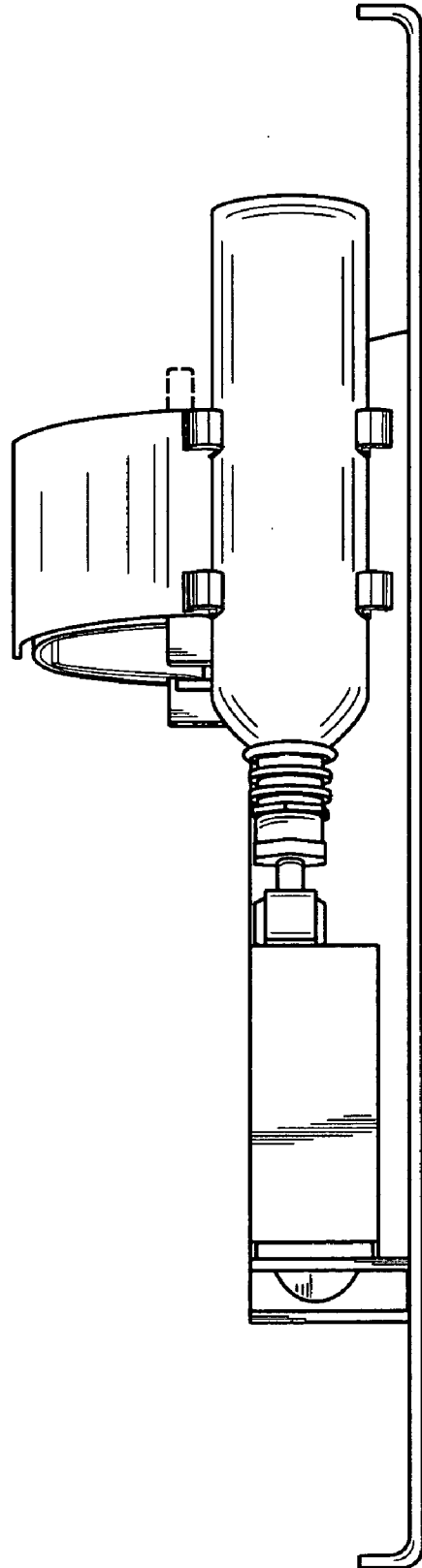


FIG. 3

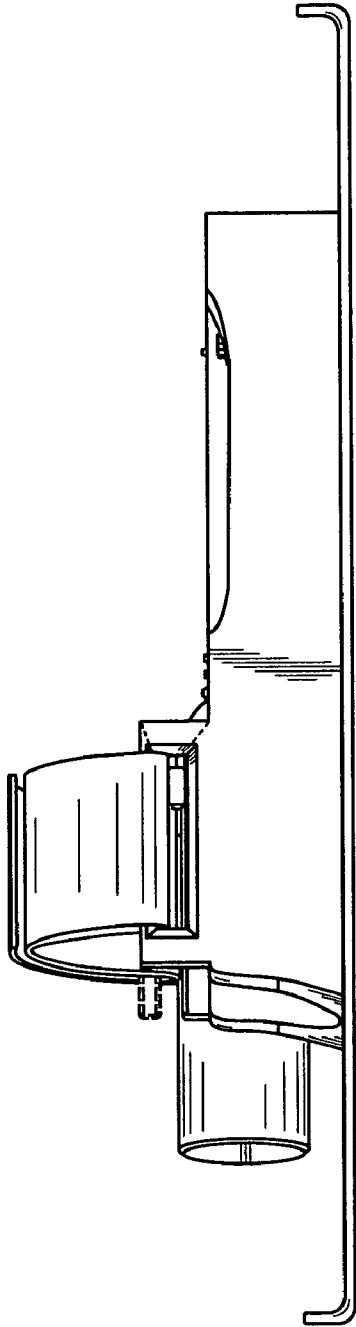


FIG. 4

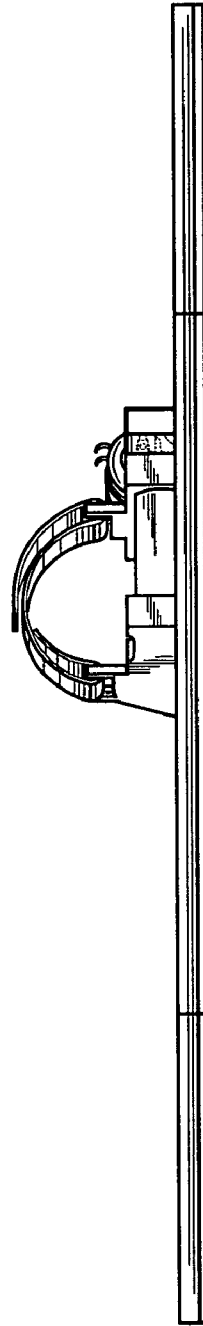


FIG. 5